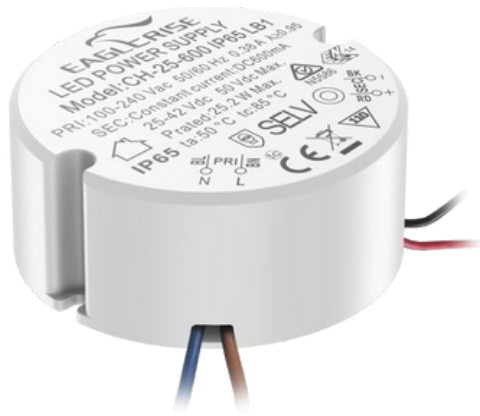


25W Constant Current – IP65



Features

- Class II, SELV, Built-in
- Input Voltage 100-240VAC
- Protections: SCP/OLP/OVP
- PowerFactor 0.95C
- Efficiency $\geq 86\%$
- IP65 Ingress protection
- 5 years warranty

Applications

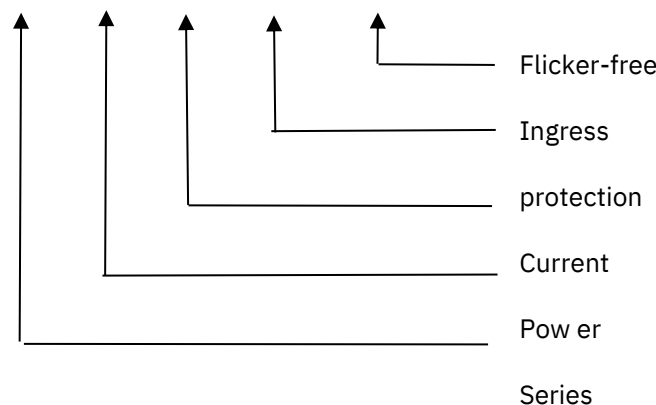
- Outdoor-Wall light
- Lawn light

Description

CH-25-XXX IP65 LB1 is a 25W constant current LED driver that operates from 90-264Vac input with 300 to 800mA output current. With it's compact dimensions from $\Phi 65 \times 28\text{mm}$ it is easy to integrate in Outdoor-Wall light and Lawn light products. To ensure trouble-free operation, protection is provided against output short circuit and over Load

Model code

CH-25-XXX IP 65 LB1



Specification

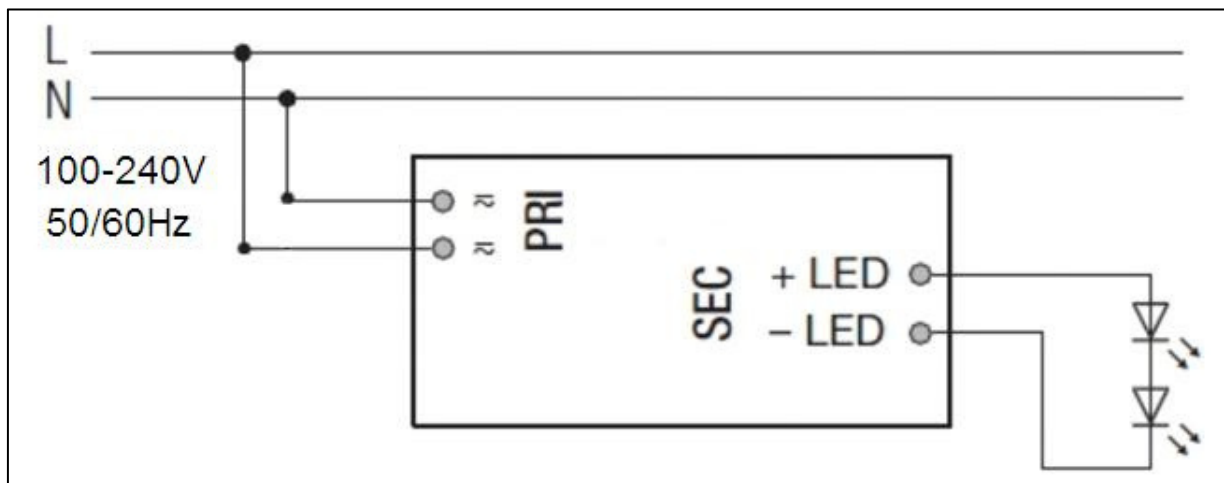
Output	Constant Current	300mA	350mA	500mA	...	800mA
	Voltage Range	50-84VDC	43-72VDC	30-50VDC	...	19-31.5VDC
	Unload voltage Max.	98VDC	85VDC	63VDC	...	42VDC
	Current Accuracy	±5%				
	Output HF current ripple(≥1KHz)	±5%				
	Output LF current ripple(≤120Hz)	±5%				
	SVM	≤0.4				
	Pst	≤1				
	Efficiency(Typ.)	≥86%				
Input	Rated input voltage	100-240VAC				
	Range of input voltage	90-264VAC				
	Frequency(Hz)	50/60Hz				
	Displacement factor	≥0.9				
	Power Factor	0.95C				
	Input Current max	0.38A				
	Start-up time	<0.5S				
	No Load Power	≤0.5W				
	THD(Typ.)	<12%				
Protection	Over Load Protection	103-120% YES/Auto Resume				
	Over Voltage Protection	>98VDC	>85VDC	>63VDC	...	>42VDC
		YES/Auto Resume				
	Short circuit Protection	YES/AutoResume				
Environment	Operating Temperature	-20°C~+50°C				
	Humidity	20%-90%RH				
	Tc	85°C				
	Storage Temperature	-25°C~+60°C				
	Lifetime	>50000h@Tc=80°C,230VAC				
Surface	Dimension	Φ65X28(DXH)mm				
standards	EN61347-1; EN61347-2-13;EN62384; EN55015;EN61000-3-2 ;EN61000-3-3; EN61547;					
Others	ErP	EU2019/2020				
	RoHS	RoHS(2011/65/EU) (EU)2015/863				
Note	<p>1.All parameters NOT specially mentioned are measured at 240VAC input , full load and 25°C of ambient temperature.</p> <p>2.Ripple & Noise are measured at 20MHz of bandwidth by using a 300mm twisted pair-wire terminated with a 0.1uF & 47 uF parallel capacitor.</p>					

Model list

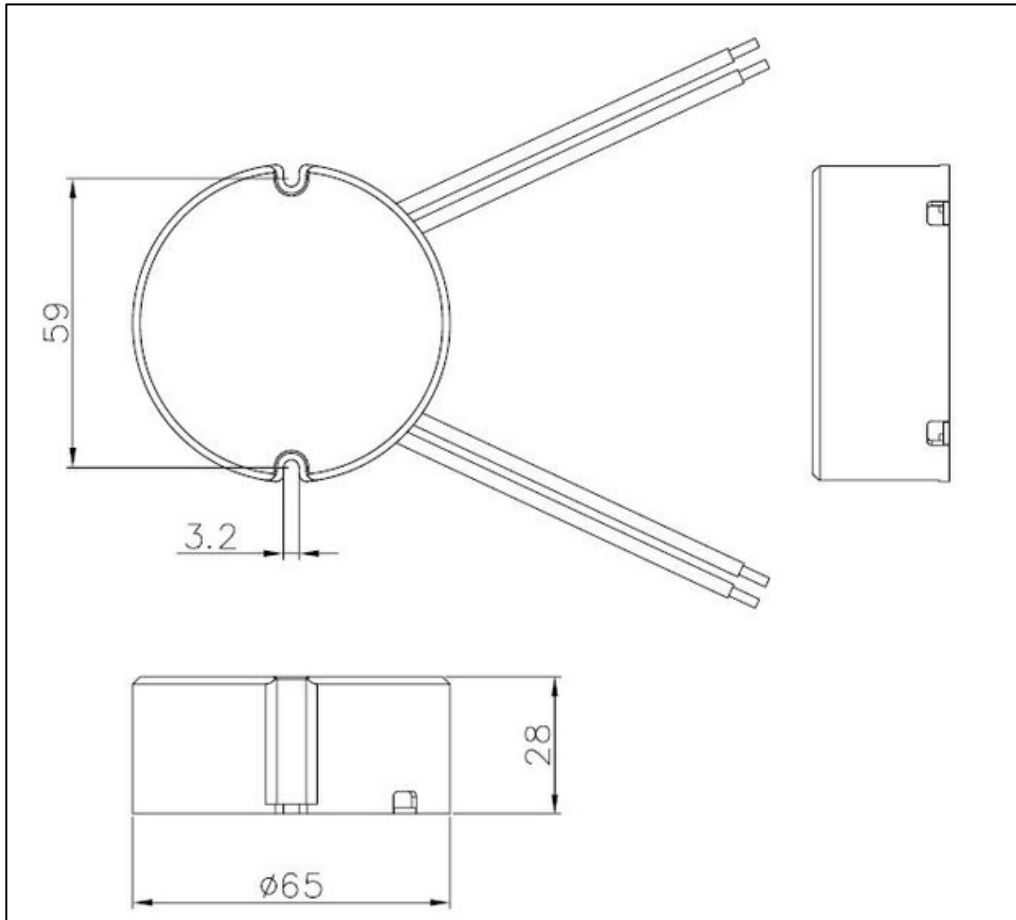
NO.	Model number	Output			Max. Rated (W)
		Constant current (mA)	Normal working voltage (VDC)	No load working voltage (VDC)	
1	CH-25-300 IP65 LB1	300	50-84	98	25.2
2	CH-25-350 IP65 LB1	350	43-72	85	25.2
3	CH-25-400 IP65 LB1	400	37.5-63	75	25.2
4	CH-25-450 IP65 LB1	450	33.5-56	68	25.2
5	CH-25-500 IP65 LB1	500	30-50	63	25
6	CH-25-550 IP65 LB1	550	27-45.5	55	25
7	CH-25-600 IP65 LB1	600	25-42	50	25.2
8	CH-25-650 IP65 LB1	650	23-38.5	50	25
9	CH-25-700 IP65 LB1	700	21.5-36	46	25.2
1	CH-25-750 IP65 LB1	750	20-33.5	44	25.1
0	CH-25-800 IP65 LB1	800	19-31.5	42	25.2

1
1

Wiring diagram

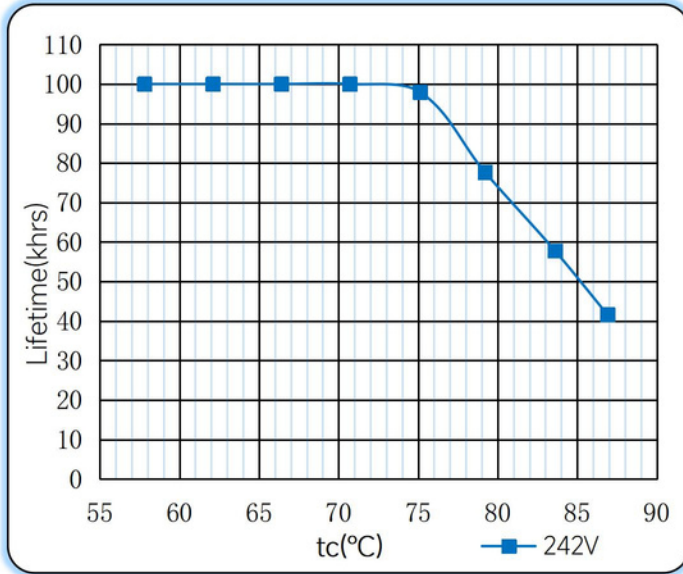


2D diagram

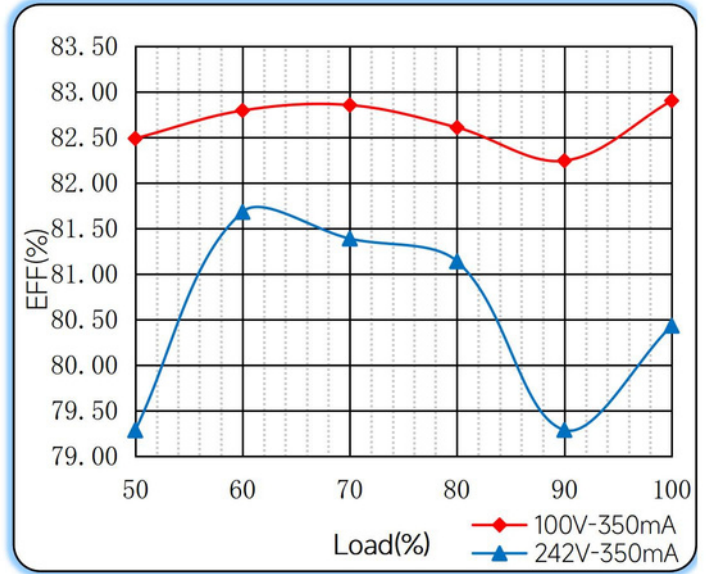


Curve for CH-25-350 IP65 LB1, $I_o=350mA$

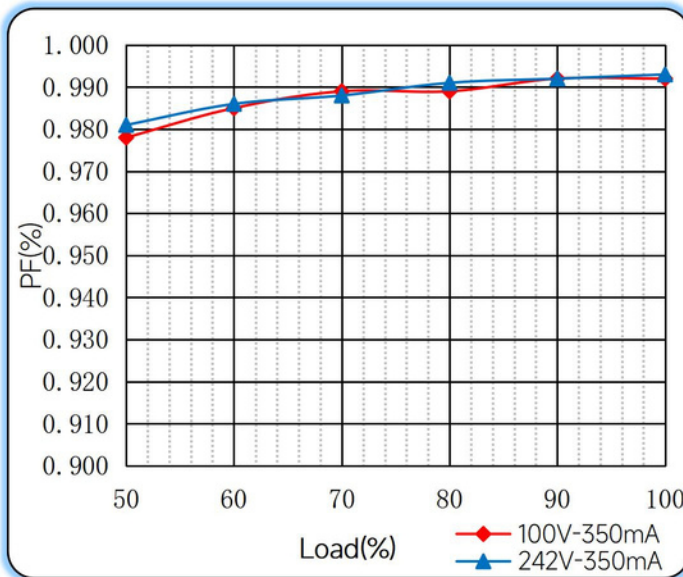
Lifetime vs. Temperature Curve



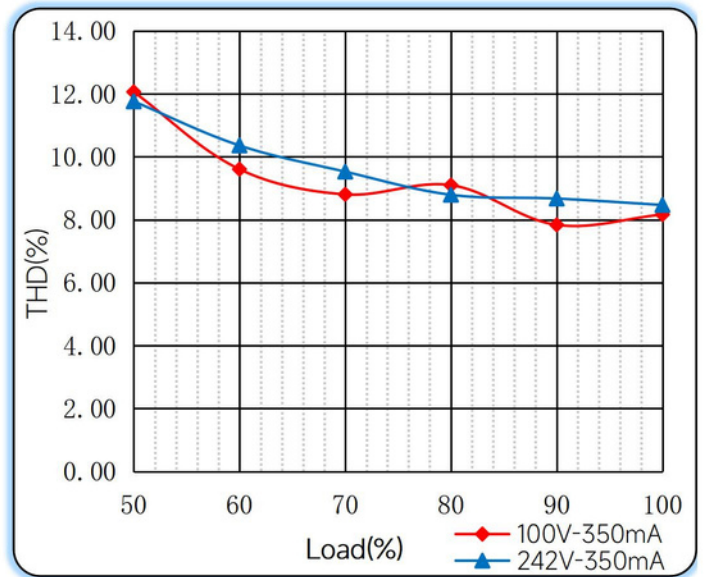
Efficiency vs. Load



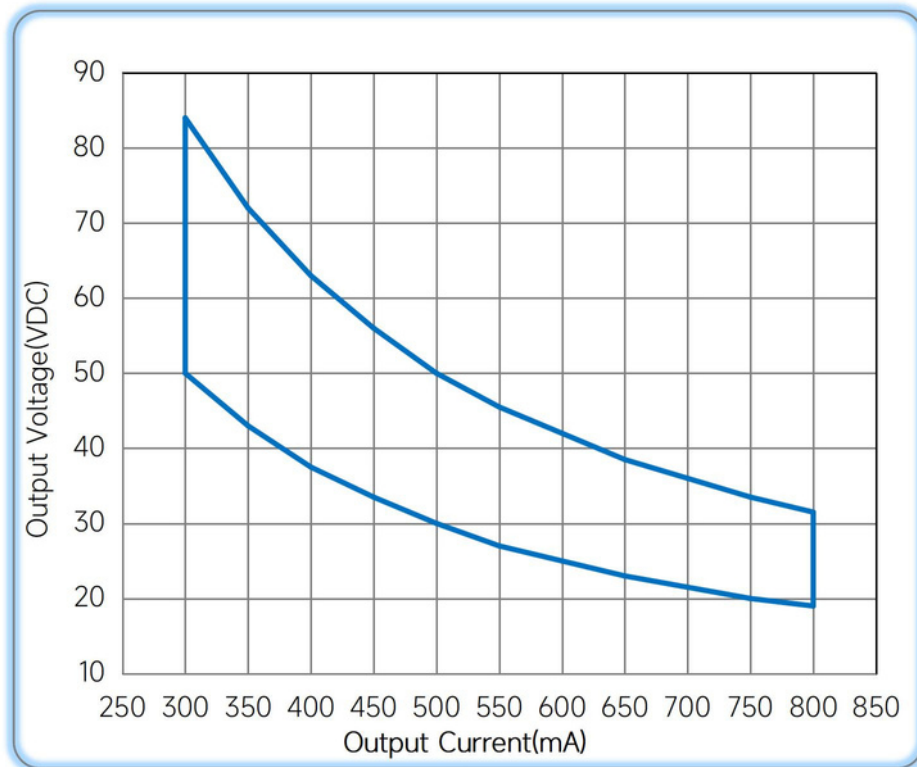
Power Factor Characteristics



THD vs. Load



Operating window



— Operating window 100%

Revision Updates

ITEM	BEFORE	AFTER	VERSION	DATE
Initial			A	2022/05/15